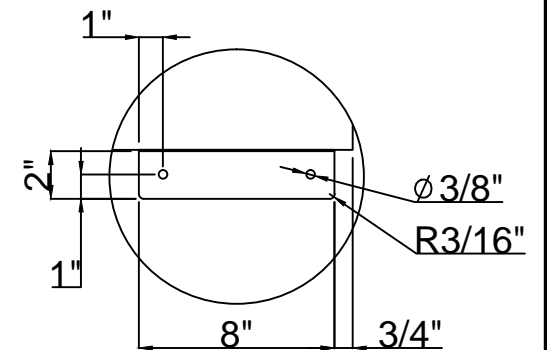
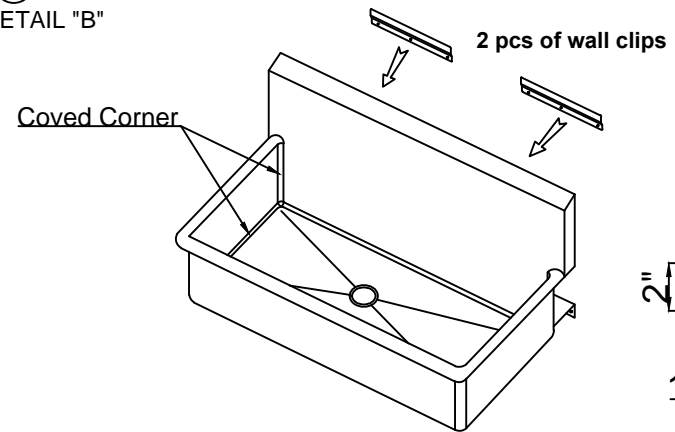
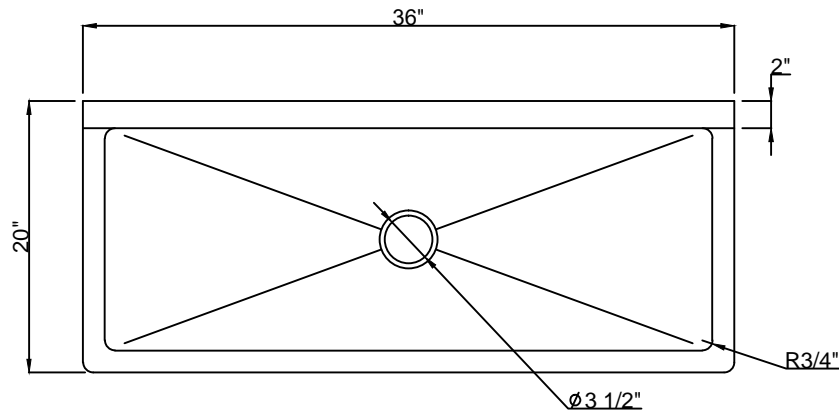
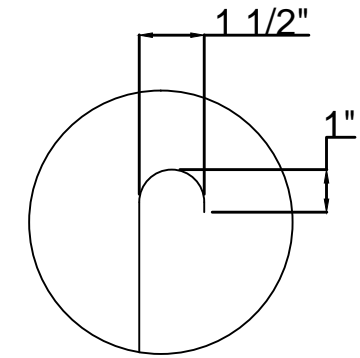


● 16GA. 304 Stainless steel Construction.



DRAWN FOR :	MAT.	TOP : 16GA. 304S/S.	DATE	REVISIONS
REF. NO :	BASE :			
ITEM NAME : Trough Sink to be Coved Corner	REQ'D/ITEM :			
PROD. NO. : TA-TS2036NHC-KIT	DATE : Nov 29 / 2021			
SCALE: 1/2" =1'-0"	BY :			
	CHECKED BY :			

Tarrison
Products Ltd.